



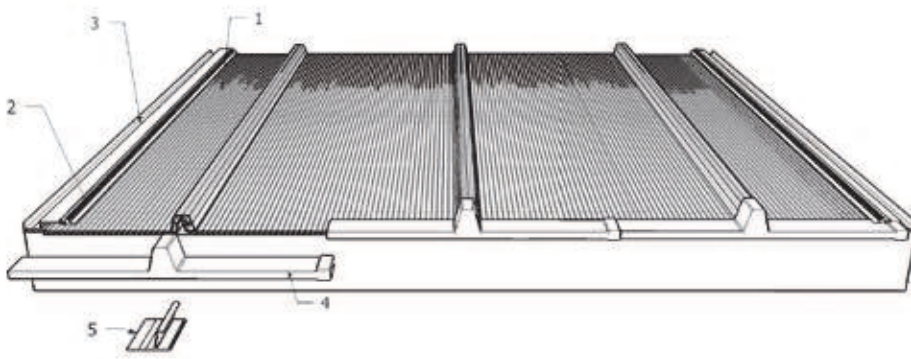
RT-Thermolight
RT-Thermolight

Translucent Building Elements
Translucent Building Elements

Windows
Fenster

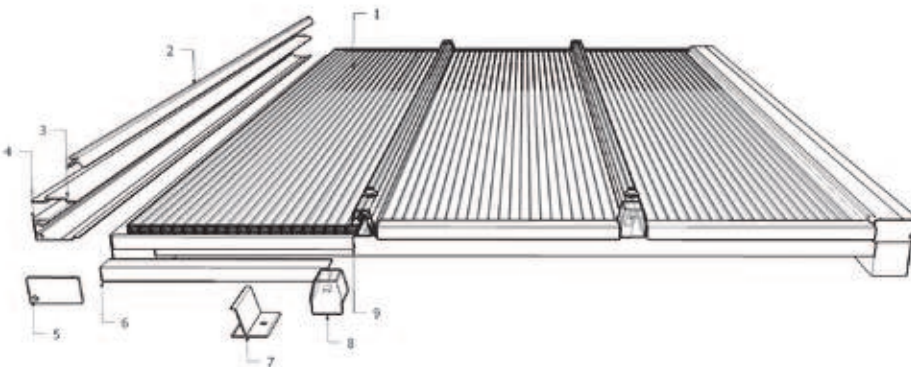
RT-Roof Lights
RT-Dachlichtbänder

Systems



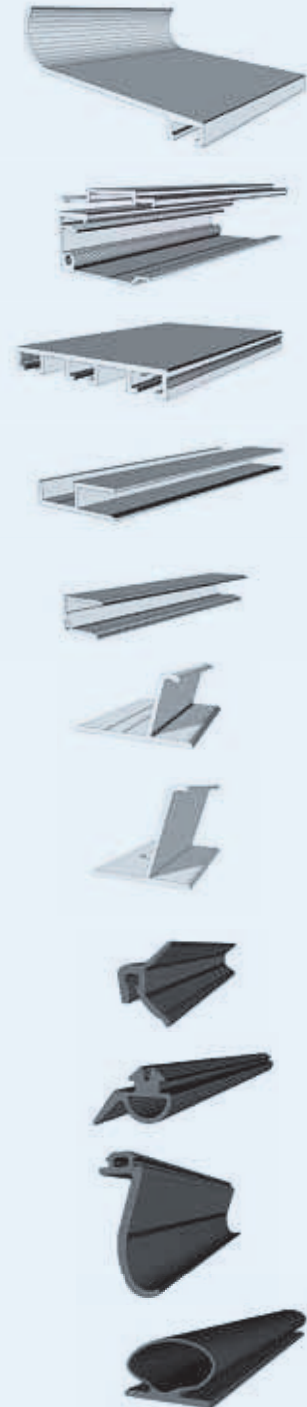
PC 2253-2

- | | |
|-----------------|-------------------|
| 1 PC 2253-2 | 3 Profile 500664 |
| 2 Gasket 902110 | 4 End cap 395001 |
| | 5 Fastener 494003 |



PC 2250-10-4

- | | | |
|-----------------------|-----------------------------|------------------------|
| 1 PC 2250-10-4 | 4 Profile 461040 | 7 Fastener 494004 |
| 2 Gasket 902110 | 5 Cover plate 465010 | 8 End cap 395006 |
| 3 Clamp batten 492001 | 6 Aluminum U-Profile 461011 | 9 Taping of panel ends |



Profiles / components

It is mandatory to observe the installation guidelines and general information.

RODECA GmbH
 Freiherr-vom-Stein-Straße 165
 D-45473 Mülheim an der Ruhr
 Fon +49 (0) 208 76502-0 | Fax +49 (0) 208 76502-11
 info@rodeca.de | www.rodeca.de

Do it yourself



Multi Wall Sheets
Hohkammerscheiben



Multi Function Panels
Multi-Funktions- Paneele



U-Panels
U-Paneele



Do it yourself

Panels

The Multicolor panel provides numerous opportunities for wall and facade designing. Polycarbonate tubes in varying shapes and various colours can be shifted into the panels middle chamber. This allows to create different patterns and colour accents. This makes individual design, even for small projects like partitions, affordable.

40	Panel	Up-value W/m ² K**	Weight kg/m ²	Building width (mm)	Thickness (mm)
	2540-4MC	1.3-1.5 W/m ² K	approx. 4.0	500+/- 1%	40



rectangular tubes
Item no.: 37r1011060



concave tubes
Item no.: 37k1011060

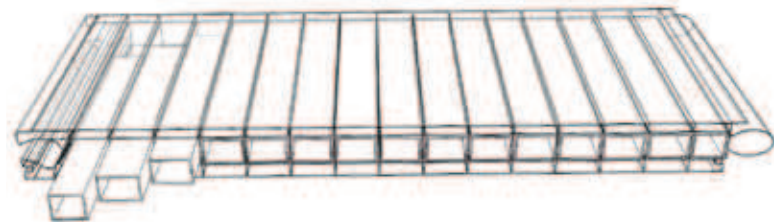
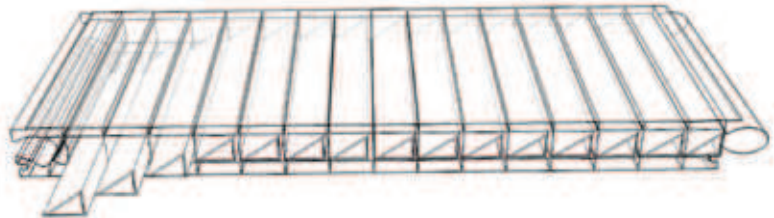
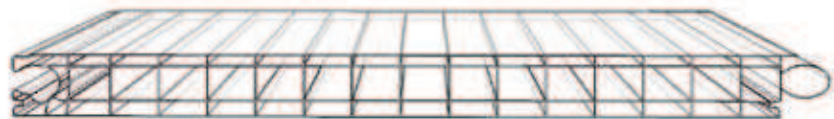


triangular tubes
Item no.: 37d1011060

Multicolor

Applications

- Facade claddings
- Interior applications
- Exhibition stand constructions
- Partitions
- Pergolas
- Light bands



** Up-values

All Up-values are approximate values / reference values.

